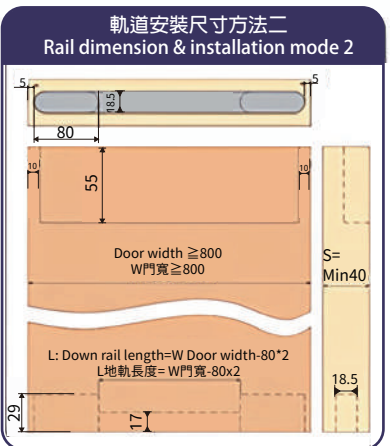
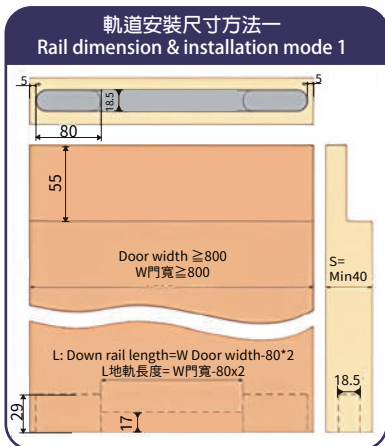
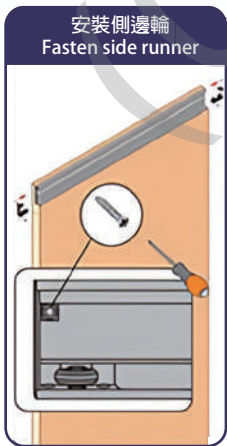
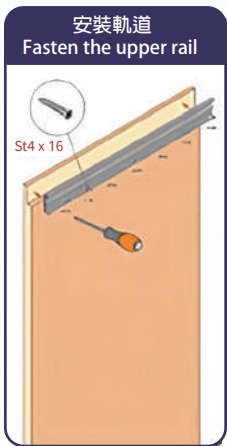
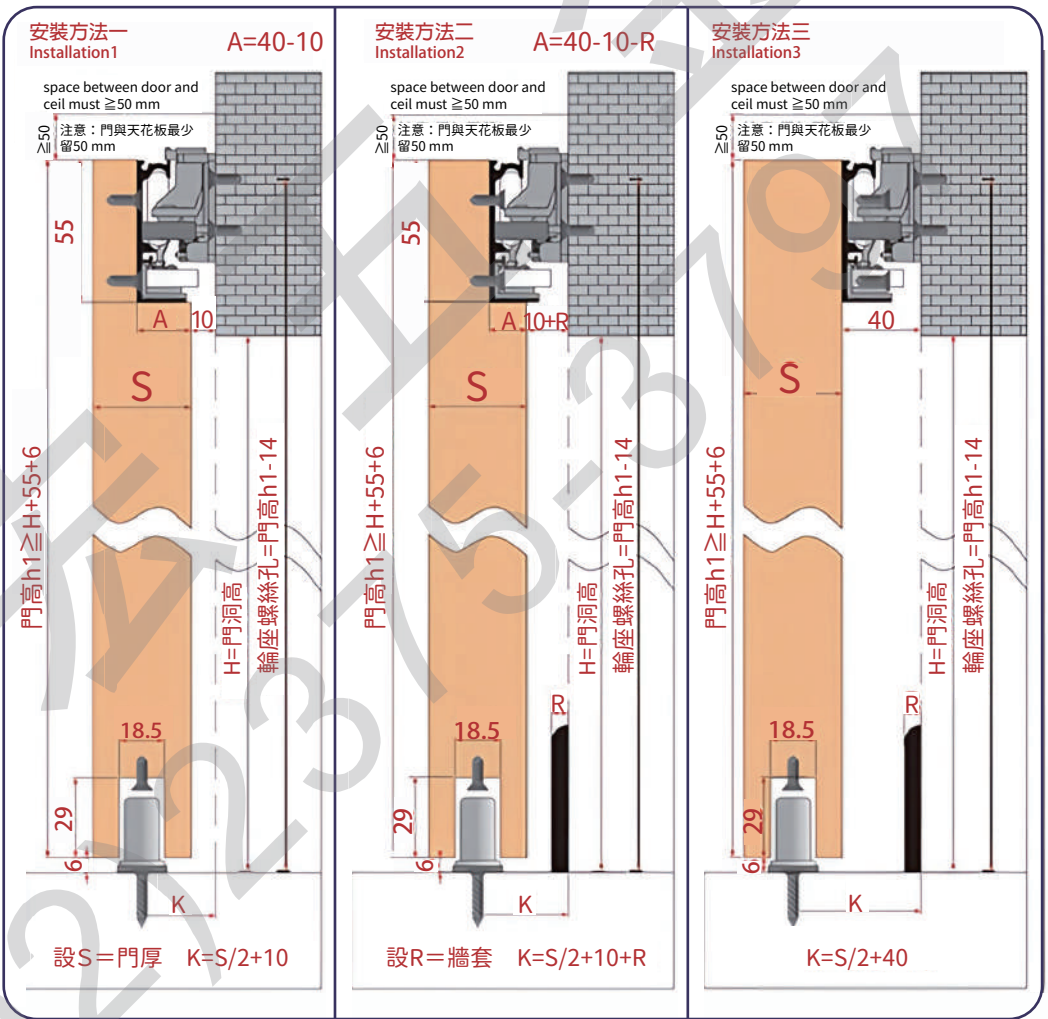
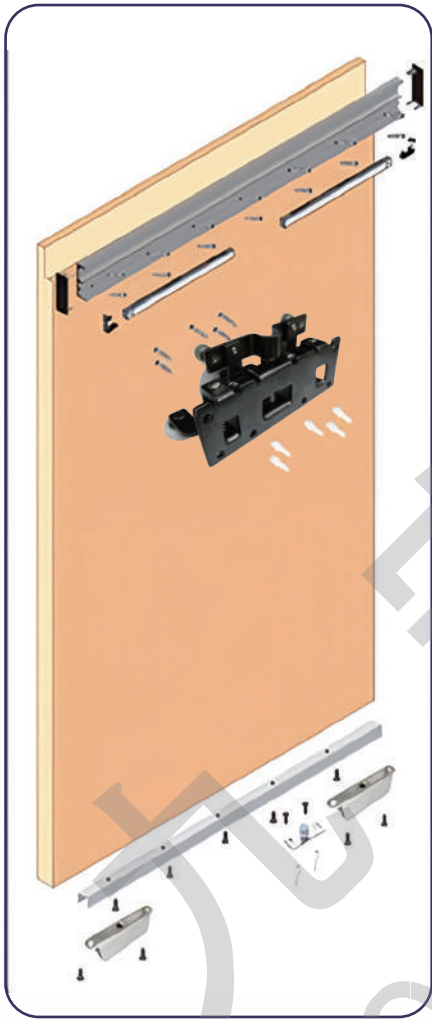


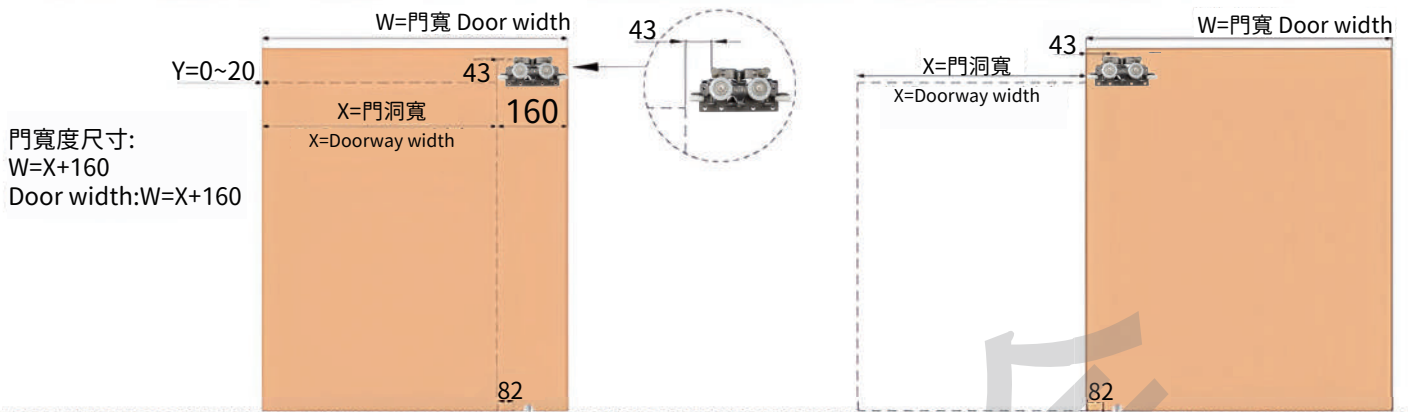
安裝說明書

主輪座 Upper runner		1	側邊輪 Side runner		2	軌道 Rail	上導軌 下導軌	1
下門止 Down guide roller		1	反彈輪 Down runner		2	緩衝器 Soft close device		2

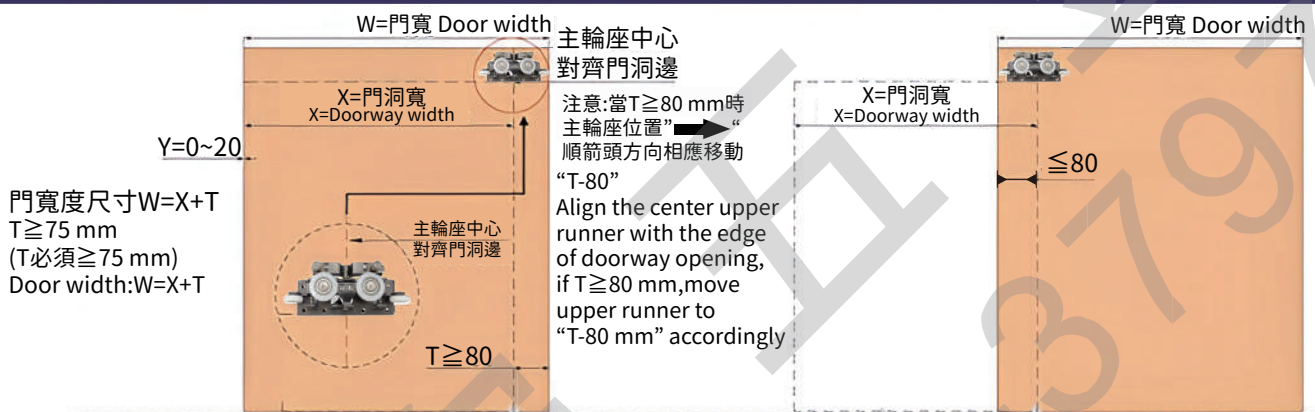
*安裝尺寸僅供參考，以實際安裝為準 Date for reference only, install based on your project.



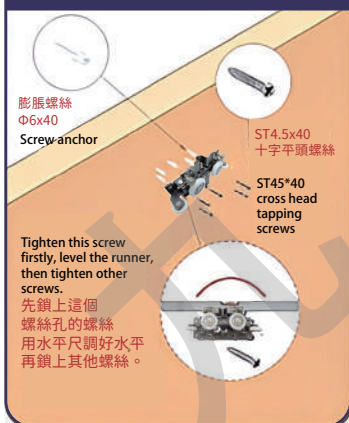
木門模式一(門洞全開) Front view method 1 (Door fully open)



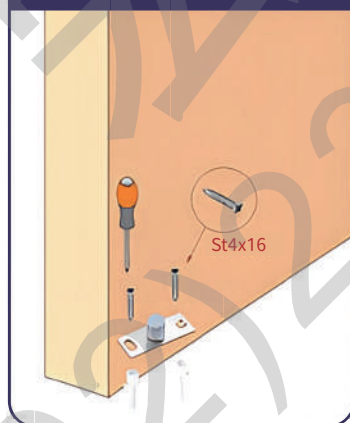
木門模式二 (門洞未全開) Front view method 2 (Door not fully open)



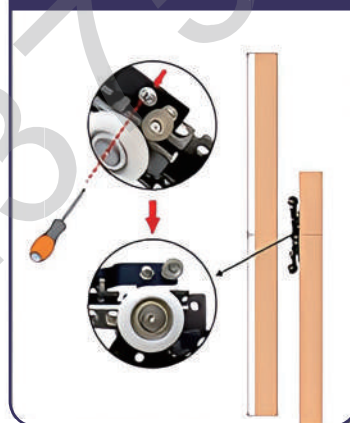
安裝主輪座 Fasten the upper runner



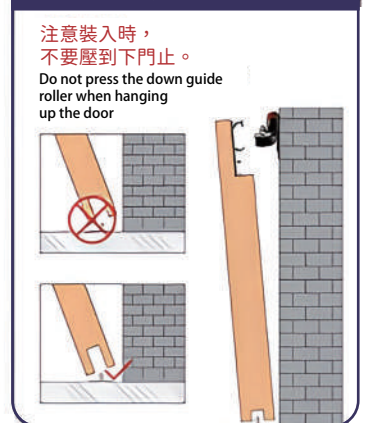
安裝下門止 Screw the down guide roller



鎖緊安全扣的螺絲 Tight up the screw of safty lock clip



裝門 Hang up the door



調節上下 Adjust the height

